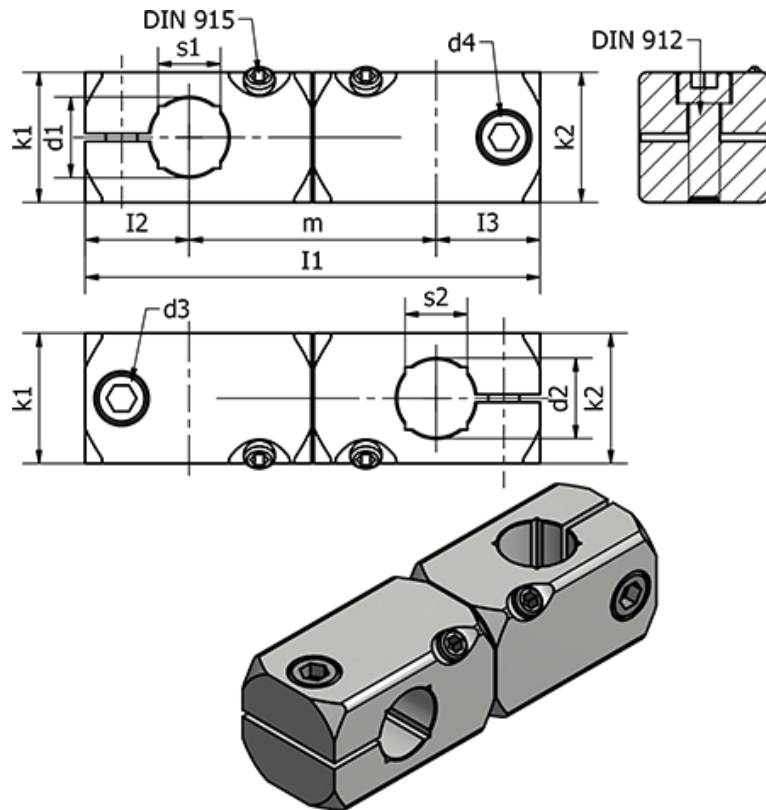


Article number: 20475B12B12MT

Description: E+G Two-way clamp mounting - GN 475-B12-B12-MT

Measures



Clamping kit for d3 = GN 511-M5-20

Clamping kit for d4 = GN 511-M5-20

d1 = 12

d2 = 12

d3 = M5

d4 = M5

I1 = 71.5

I2 = 16.5

I3 = 16.5

k = 20

k2 = 20

m = 38.5

s1 = 10

s2 = 10

Weight (g) = 73